

- **Maximum capacity 3,000 kg (Model 307) and 2,600 kg (Model 266)**
- **Lifting height up to 6.9 m (Model 307) and 5.8 m (Model 266)**
- **Clear view cab provides excellent visibility**
- **Audio-visual load moment indicator**
- **Hydrostatic transmission**
- **Four wheel drive with 45% gradeability**
- **3 Mode, Four Wheel Steer feature**
- **Electronic joystick, fully proportional**
- **Quick Switch™ feature for efficient attachment change**



Joystick controller provides all the controls for convenient and enhanced operation of boom movements simultaneously and auxiliary boom end hydraulics. The controller is programmed to improve productivity.



Appreciate the comfort of the JLG cab with convenient controls, fully adjustable seat and steering column. All our cabs feature heater and demister, with air conditioning as an option for improved comfort.



High torque Deutz Turbo engine for effective on- and off-road performance. Smooth and user friendly hydrostatic transmission and axles, with limited slip differential, provide superior traction. The high flow hydraulic system delivers fast boom operations.

TELESCOPIC MATERIAL HANDLERS
MODEL 307
MODEL 266
Performance

| | | |
|--------------------------------------|----------|----------|
| Maximum Lift Capacity | 3,000 kg | 2,600 kg |
| Capacity at full height | 2,600 kg | 2,200 kg |
| Maximum Forward Reach | 3.90 m | 3.16 m |
| Capacity at Maximum Forward Reach | 1,350 kg | 1,000 kg |
| Lifting Height | 6.90 m | 5.80 m |
| Reach at Maximum Height | 0.90 m | 0.80 m |
| Break-out force with standard bucket | 55 kN | 34.8 kN |
| Towing Capacity | 5,000 kg | 5,000 kg |
| Carriage Rotation | 140° | 140° |

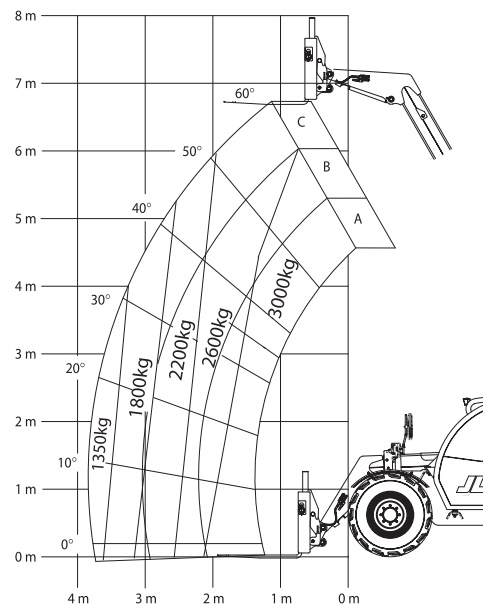
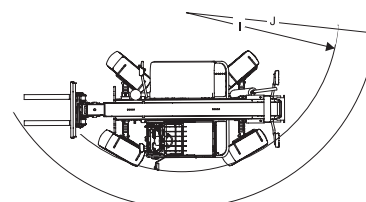
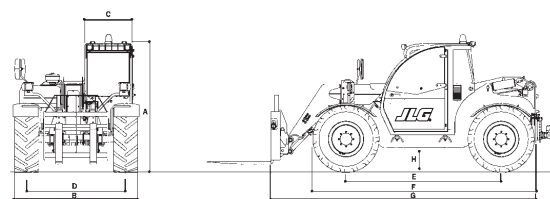
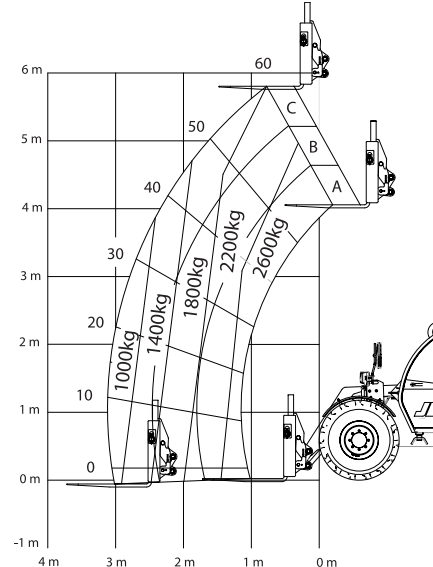
Dimensions

| | | |
|-----------------------------------|----------|----------|
| A. Overall Height | 2.35 m | 2.18 m |
| B. Overall Width | 2.30 m | 2.04 m |
| C. Width of Cab | 0.89 m | 0.89 m |
| D. Track width | 1.89 m | 1.64 m |
| E. Wheelbase | 2.90 m | 2.69 m |
| F. Length at front wheels | 4.14 m | 3.80 m |
| G. Length at fork-holder plate | 4.92 m | 4.40 m |
| H. Ground Clearance | 0.46 m | 0.44 m |
| I. Turning radius over tyres | 4.40 m | 3.90 m |
| J. Turning radius at fork | 5.40 m | 5.10 m |
| Gross Vehicle Weight (with forks) | 7,500 kg | 6,300 kg |

Engine & Transmission

| | | |
|--|----------------------------|----------------------------|
| Diesel Engine - Deutz 2012 at 2200 rpm | 74.9 kW | 74.9 kW |
| Travel Speed - first gear | 6.5 km/h | 10 km/h |
| Travel Speed - second gear | 32 km/h | 32 km/h |
| Transmission | Hydrostatic | Hydrostatic |
| Drive | 4 x 4 x 4 | 4 x 4 x 4 |
| Number of gears (forward/reverse) | 2/2 | 2/2 |
| Gradeability | 45% | 45% |
| Steering | 4WS/Front Steer/Crab Steer | 4WS/Front Steer/Crab Steer |
| Brakes | Wet multi disc | Wet multi disc |
| Hydraulic System (Gear Pump) | 94 L/min @ 2400 rpm | 94 L/min @ 2400 rpm |
| Fuel Tank Capacity | 105 L | 91 L |
| Engine Oil | 10 L | 10 L |
| Coolant | 15 L | 15 L |
| Hydraulic Reservoir | 87 L | 64 L |
| Tyres | 405/70 - 20 | 405/70 - 20 |
| Tyres (Optional) | 405/70 - 24 | 405/70 - 24 |
| Tyres (Optional) | 17.5 - 24 | - |

JLG is continually researching and developing products and reserves the right to make modifications without prior notice. All data in this document is indicative. Certain options or country standards will increase weight. Specifications may change to meet country standards or with the addition of optional equipment.

JLG MODEL 307

JLG MODEL 266


JLG Industries Inc.
 Kilmartin Place, Tannochside Park,
 Uddingston, G71 5PH, Scotland,
 United Kingdom
 Tel: +44 (0) 1698 811005
 Fax: +44 (0) 1698 811055
 e-mail address: europe@jlg.com



www.jlg.com