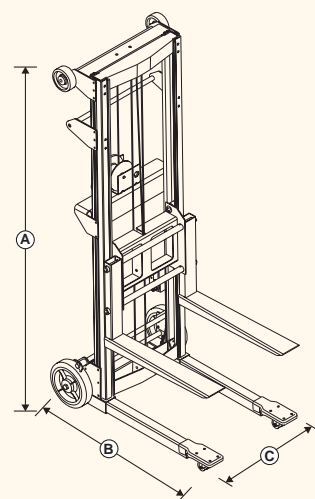


Standard Features

- Durable steel forks
- Hold-down mechanism secures carriage during transport
- Reversible winch handle for easy storage or stowed
- Winch operates while ladder is in use or stowed
- Loads easily into a pickup truck for transporting

Options and Accessories

- Load platform
- Boom
- Aluminium ladder
 - Standard and Straddle Base
- Electric winch
 - Straddle and Counterweight Base
- Pneumatic rear wheels
 - Standard and Straddle Base
- Foot-release brake
 - Standard and Straddle Base
- Caster options



Specifications

Model	Metric	US GL-4	Metric	US GL-8	Metric	US GL-10	Metric	US GL-12
Height								
(A) Height-stowed ^{1,2,3}	1.72 m	5 ft 7½ in	1.72 m	5 ft 7½ in	1.97 m	6 ft 5½ in	2.31 m	7 ft 6¾ in
Height max forks up	1.8 m	5 ft 11 in	3.06 m	10 ft ½ in	3.56 m	11 ft 8 in	4.2 m	13 ft 9½ in
Height max forks down	1.26 m	4 ft 1½ in	2.51 m	8 ft 3 in	3.01 m	9 ft 10½ in	3.66 m	12 ft
Height min forks down	9 cm	3½ in	9 cm	3½ in	5 cm	2 in	5 cm	2 in
Length								
(B) Standard Base-stowed	30 cm	12 in	30 cm	12 in		n/a		n/a
Standard Base-operating	88 cm	34¾ in	88 cm	34¾ in		n/a		n/a
Straddle Base-stowed	49 cm	19¾ in	49 cm	19¾ in	49 cm	19¾ in	49 cm	19¾ in
Straddle Base-operating	1.09 m	43 in	1.09 m	43 in	1.09 m	43 in	1.09 m	43 in
Counterweight Base-operating	72 cm	28½ in	72 cm	28½ in	72 cm	28½ in	72 cm	28½ in
Width								
(C) Standard Base ⁴	63 cm	24¾ in	63 cm	24¾ in		n/a		n/a
Straddle Base-stowed ⁴	73 cm	28¾ in	73 cm	28¾ in	73 cm	28¾ in	73 cm	28¾ in
Straddle Base-max ⁴	1.1 m	43½ in	1.1 m	43½ in	1.1 m	43½ in	1.1 m	43½ in
Straddle Base max inside	91 cm	36 in	91 cm	36 in	91 cm	36 in	91 cm	36 in
Counterweight Base-stowed ⁴	73 cm	28¾ in	73 cm	28¾ in	73 cm	28¾ in	73 cm	28¾ in
Counterweight Base-max ⁴	1.1 m	43½ in	1.1 m	43½ in	1.1 m	43½ in	1.1 m	43½ in
Counterweight Base max inside	91 cm	36 in	91 cm	36 in	91 cm	36 in	91 cm	36 in
Weight/Standard Caster Options								
Standard Base	51 kg	113 lb	60 kg	132 lb		n/a		n/a
Straddle Base	57 kg	126 lb	66 kg	145 lb	68 kg	149 lb	70 kg	154 lb
Counterweight Base	178 kg	392 lb	186 kg	411 lb	188 kg	415 lb		n/a
Weight/Pneumatic Caster Options								
Standard Base	53 kg	117 lb	62 kg	136 lb		n/a		n/a
Straddle Base	59 kg	130 lb	68 kg	149 lb	69 kg	153 lb	72 kg	158 lb
Weight/4 Point Caster Option								
Straddle Base caster option A	62 kg	137 lb	71 kg	156 lb	73 kg	160 lb	75 kg	165 lb
Straddle Base caster option B	63 kg	139 lb	72 kg	158 lb	73 kg	162 lb	76 kg	167 lb
Miscellaneous								
Load height min	9 cm	3½ in	9 cm	3½ in	9 cm	3½ in	9 cm	3½ in
Ground clearance ^{1,2,3}	2 cm	¾ in	2 cm	¾ in	2 cm	¾ in	2 cm	¾ in
Lift capacity	227 kg	500 lb	181 kg	400 lb	159 kg	350 lb	159 kg	350 lb
at 12 in (30 cm) load center								
Average cranks-standard winch	38/m	11½/ft	38/m	11½/ft	38/m	11½/ft	38/m	11½/ft
Average lift-electric winch	5 cm/sec	2 in/sec	5 cm/sec	2 in/sec	5 cm/sec	2 in/sec	5 cm/sec	2 in/sec
Fork length	57 cm	22½ in	57 cm	22½ in	57 cm	22½ in	57 cm	22½ in
Fork width	52 cm	20½ in	52 cm	20½ in	52 cm	20½ in	52 cm	20½ in
Load platform length	58 cm	23 in	58 cm	23 in	58 cm	23 in	58 cm	23 in
Load platform width	56 cm	22 in	56 cm	22 in	56 cm	22 in	56 cm	22 in

¹ The 10 in pneumatic rear wheel option will add 2.5 cm (1 in) to these specifications
² The counterweight base will add 2.5 cm (1 in) to these specifications

³ The 4 point caster option B will add 2.5 cm (1 in) to these specifications
⁴ Outside dimensions

Distributed By:

Genie Industries

<p>○ GENIE UNITED KINGDOM The Maltings, Wharf Road Grantham Lincolnshire NG31 6BH Telephone +44 (0) 1476 584333 Fax +44 (0) 1476 584334 http://www.genieindustries.com</p>	<p>○ GENIE UNITED STATES 18340 NE 76th Street P.O. Box 97030 Redmond, Washington 98073-9730 Telephone +1 (425) 881-1800 Fax +1 (425) 883-3475 http://www.genieindustries.com</p>
--	--

**Manually
Operated
Material Lift**

The material lift with thousands of applications.



There is a Genie Lift™ for Every Load.

The Genie Lift's improved design provides years of reliable service. It is easily loaded in any size pick-up truck to go wherever you need a lift! With three base models and many accessories to choose from, the Genie Lift is ideal for all your material handling needs.

Standard Features

Standard Base Model

Compact design allows you to lift and manoeuvre in congested work areas. Great for general lifting and delivery of materials.

- Available in 1.22 m (4 ft) and 2.44 m (8 ft) lift heights
- Low loading height
- 20 cm (8 in) non-marking rear wheels and 5 cm (2 in) dual wheel front swivel casters are standard



Straddle Base Model

Adjustable base legs straddle loads or fixed objects up to 91 cm (36 in) wide. Ideal for lifting small pallets, appliances and other bulky objects.

- Available in 1.22 m (4 ft), 2.44 m (8 ft), 3.05 m (10 ft) and 3.66 m (12 ft) lift heights
- Legs adjust from inside dimensions of 56 cm (22 in) to 91 cm (36 in)
- Straddles wide loads
- 20 cm (8 in) non-marking rear wheels and 5 cm (2 in) dual wheel front swivel casters are standard



Counterweight Base Model

Short 23 cm (9 in) front legs let you get close to your load. Excellent for accessing loads on countertops or shelves above fixed objects.

- Available in 1.22 m (4 ft), 2.44 m (8 ft) and 3.05 m (10 ft) lift heights
- Designed for use on level surfaces
- Counterweight base provides short leg length, letting you get close to your load
- 13 cm (5 in) rear swivel casters with side brakes and fixed 10 cm (4 in) front wheels are standard



These are just a few of the thousands of applications:

- Shipping/receiving
- Transporting appliances
- Lifting heavy material to or from shelves
- Moving office equipment
- Installing ceiling/wall appliances
- Record storage and retrieval
- HVAC installation and repair
- Lifting electronic/computer products in retail stores
- Handling cement bags
- Lifting and moving automotive parts

Options and Accessories

Standard and Straddle Base Options

- Rugged 25 cm (10 in) pneumatic rear wheels and 6 cm (2½ in) front swivel casters.
- Foot-release brake option for standard or pneumatic wheels.

Straddle Base Caster Options

- Option A: 10 cm (4 in) rear swivel casters and 5 cm (2 in) dual wheel front swivel casters.
- Option B: 13 cm (5 in) rear swivel casters with side brakes and 4 point rotational locks with 6 cm (2½ in) front swivel casters.

Electric Winch Option

- The battery powered Electric Winch option is available with Straddle Base and Counterweight Base models.
- A Caster Option kit is required for use with Straddle Bases.
- The Electric Winch option comes with a battery pack and an automatic charger that shuts itself off when fully charged.
- Factory installed only.

Other Options and Accessories



10 in pneumatic rear wheels and foot-release brake option



Load Platform



Boom



Aluminium Ladder

- Load platform fits easily over forks—no tools required. For use when lifting odd-shaped loads or as a portable work table.
- The boom option turns your Genie Lift into a vertical crane or hoist. Lifts 95 kg (210 lb) to 227 kg (500 lb), with up to a 51 cm (20 in) reach.
- Sturdy aluminium ladders available on Standard Base and Straddle Base models. Not available with the Electric Winch option.

