

**JLG**

An Oshkosh Corporation Company

**ACCESS**  
HIRE AUSTRALIA

The **ACCESS DIFFERENCE** - 6 Reasons to rent from us!

**Remote Specialists** - We specialise in remote project equipment hire and service support.

**Market Leader** - We are the leading supplier & reseller for access equipment in Australia.

**New Fleet** - Our equipment is constantly replaced every 3-5 years to ensure quality and reliability.

**Largest Fleet** - We have the largest privately owned fleet of access equipment in Australia.

**Transport** - Largest fleet of tilt trays and low loaders in the industry.

**Best Prices** - We consistently deliver the most competitive prices in the industry.

## **FEATURED PRODUCT - 6000W & 9000W Auto Shutdown Lighting Towers**

### **Robust Design - Mine Site Specifications**

Proven in harsh conditions incorporating a steel section chassis, one-piece individual covers for increased rigidity and retractable tow bar.

### **Unique Mast**

Designed with hydraulic controls to assist with erection and full control of light direction. Horizontal reach of 3 meters for out and over; and up and over applications such as pits, under bridges etc.

### **High Performance Parabolic Light Fixtures**

Provide significantly more usable light. 6000 & 9000 Watt light fixture allows individual tilt and rotational adjustment of lights together with hydraulic tilt of the complete light bar assembly.

### **Compact Length**

This machine is an impressive 2.5m, which allows the unit to be positioned sideways across a standard width truck for economical transportation.



### **Engine Distress System**

Detects high engine temperature, low coolant level, low oil pressure and will shut down engine in event of failure.

### **Serviceability**

Machine operation is made accessible through large gas strut assisted access doors.



**Call Us Today - (08) 6253 8366**

## 6000 Watt Lighting Tower Specifications

### BASIC SPECIFICATIONS

Height Stowed	2.4m
Length Stowed	2.5m
Width	1.75m
Weight Gross Max	1500kg
Towbar Weight	90kg
Rated Towing Speed	80 kp/h

### MAST SYSTEM

Mast Max Elevation	8m
Mast Mas Horizontal Elev	3m
Mast Rotation	350° Non Continuous
Mast Lift Time	110 sec
Mast Lower Time	90 sec
Fuel Consumption	1.9 l/h
Max Wind Speed Rating	118km/h (32.8m/sec)
Lift	Hydraulic
Telescopic	Hydraulic
Tilt	Hydraulic
Rotate	Manual
Hydraulic System Power	12 Volt DC, Operating Pressure 2500psi, 17.23mpa, Pump Volume 0.8cc

### ENGINE

Kubota	D1403BG, 3 Cylinder, Water Cooled, Power Rated 14.3 HP Net @ 1500 rpm
Engine Power	10.6kw
Hydraulic Oil Tank	5.6L
Fuel Tank	167L
Engine Crank Case	5.6L
Radiator	4.2L

### BATTERY

Model	N70ZZ Marine
Voltage	12 Volt DC
CCA	600 amps
Reserve Current	130 amps

### ALTERNATOR/GENERATOR

Make	Mecc-Alte
Model	CT3-2L/4, Self Excited
Output Voltage	415 V
kVa	13 kVa
Phase	3

### CHASSIS

Wheels	16" x 6J Rims
Tyres	205/80 x 16"
Axle	Independent Rubber Suspension
Brakes	Hydraulic Override, Drum

### ELECTRICAL CONTROLS

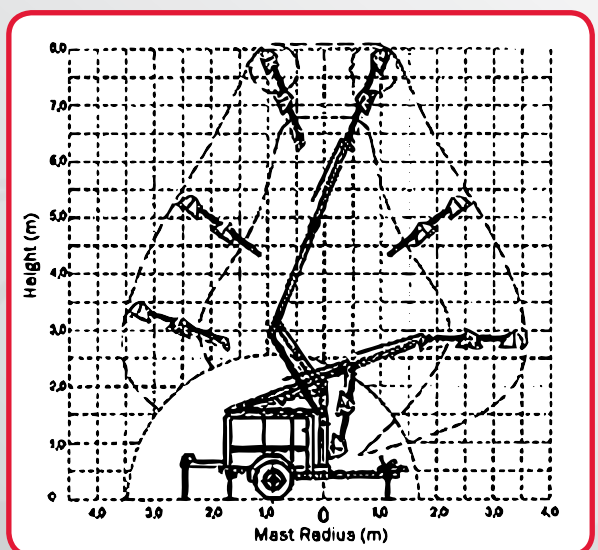
Main Circuit Breaker	25 amps
RCD Trip Rating	30 Milliamps

### LIGHTS

Type	Metal Halide
Light Power Total	6000W

Backed By  
**Access Hire's**  
24/7 Support  
Network

**24/7**  
SUPPORT



For more information or to arrange an onsite inspection or free quote

**Call Us Today - (08) 6253 8366**